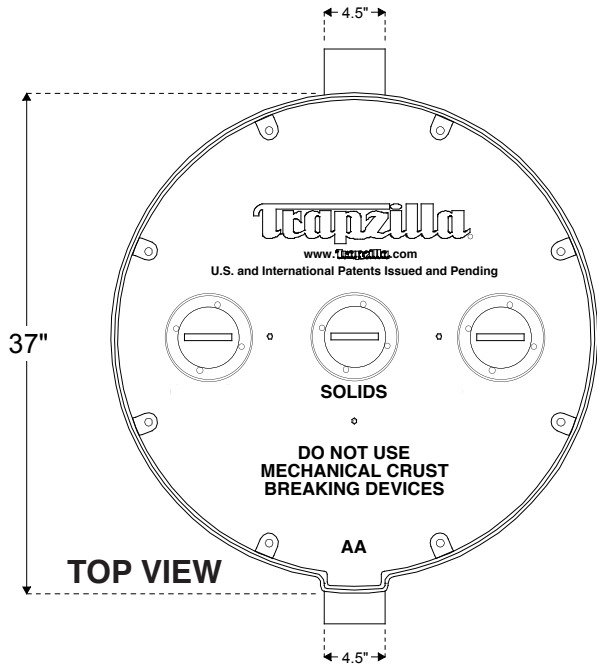




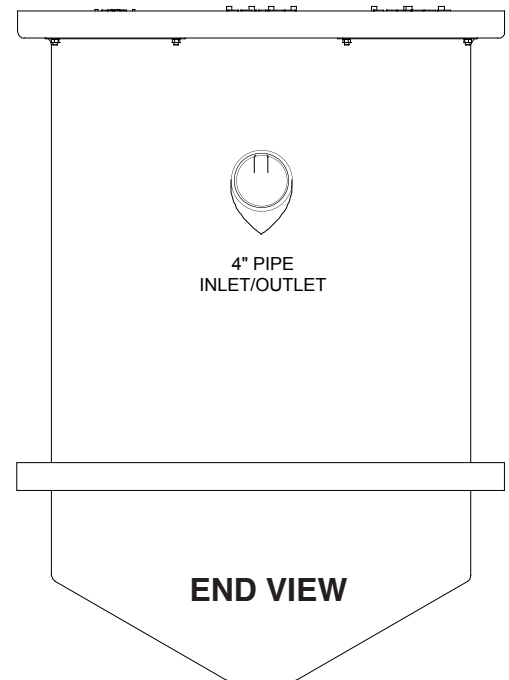
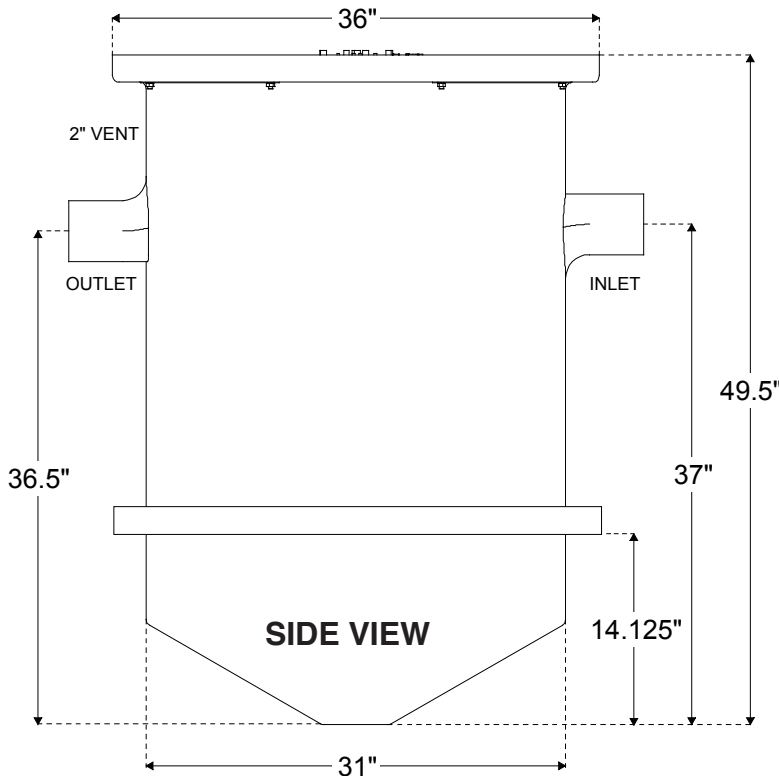
Trapzilla® Solids Separators

TSS-95 Specifications



FEATURES:

- Constructed of corrosion resistant materials suitable for installation in virtually any location.
- Compact footprint.



TECHNICAL DATA

Materials:	_____	Rotationally Molded Polyethylene
Maximum Inlet Flow Rate:	_____	150 GPM
Solids Retention Capacity:	_____	95 Gallons



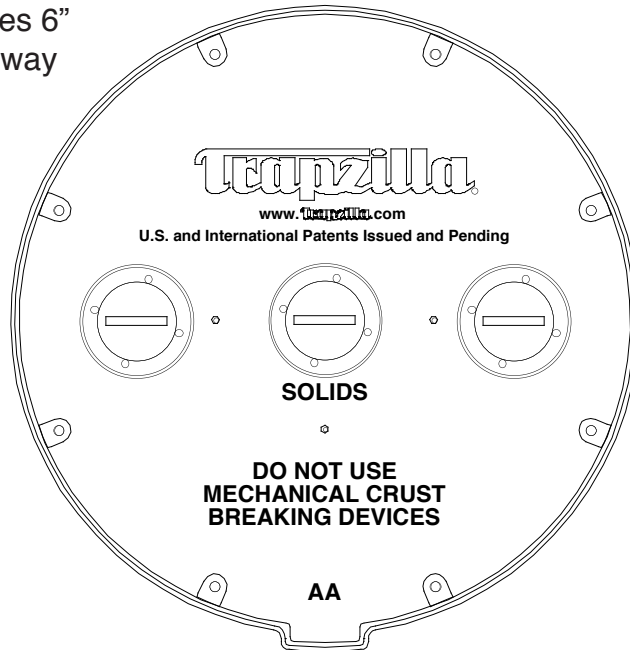
Trapzilla® Solids Separators

TSS-95 Specifications

INSTALLATION INFORMATION

Suggested Minimum Footprint Dimensions

The Trapzilla® requires 6” of clearance all the way around the lid.



DO . . .

READ instruction manual included with system before doing anything.

Install unit allowing for the minimum clearances shown.

Make piping connections with rubber “No Hub” connectors.

Keep outlet piping as straight as possible. Use only “sweep” connections.

Install vent on outlet piping.

DON'T . . . Install “P” trap on outlet connection of tank. Reduce pipe size on outlet piping.

NOTE: Drawing for reference only. Equipment must be installed in compliance with all applicable laws, regulations and codes, including plumbing codes. Installation should be performed by a qualified plumber.

Job Specification:

Solids separator(s) shall be Thermaco **Trapzilla** solids interceptor system(s) as manufactured by Thermaco, Inc., Asheboro, North Carolina as noted on plans.

Separator Specifications:

Furnish and install ___ Thermaco **Trapzilla** Model No. TSS-95, rotationally molded polyethylene solids separator(s) for below or above-ground installation, rated at 150 gallons per minute peak flow, 95 gallons of solids storage capacity, integral portal for vacuum access by pump truck for solids removal, and including as an integral part of the unit a vessel vent and fully removable polyethylene cover provided.